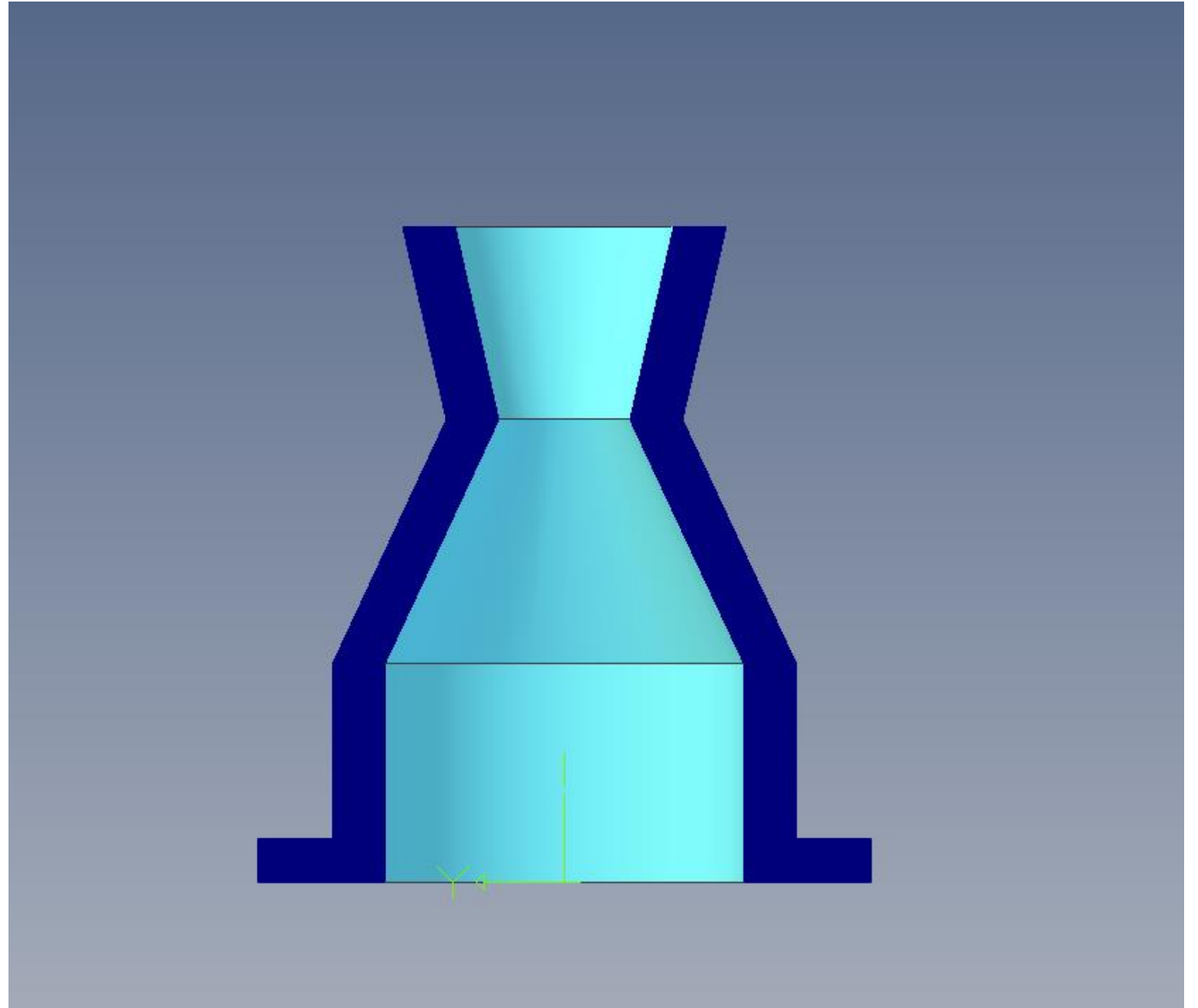


# Nozzle 1

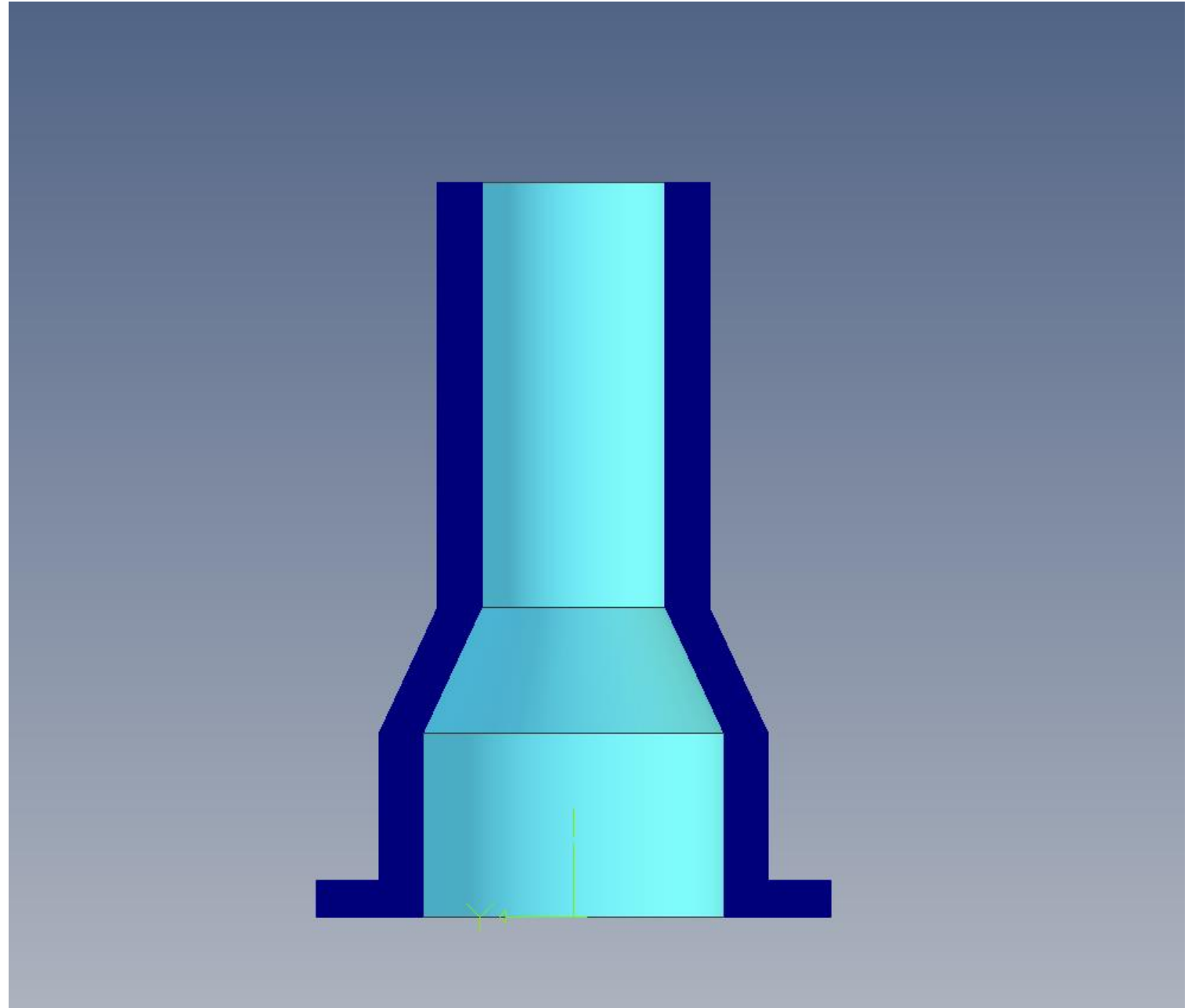
Feature	Dimension (in)	Dimension (cm)
Inlet ID	0.15	0.38
Outlet ID	0.25	0.64
Height	0.75	1.91



RIPPL<sup>3</sup>D™

# Nozzle 2

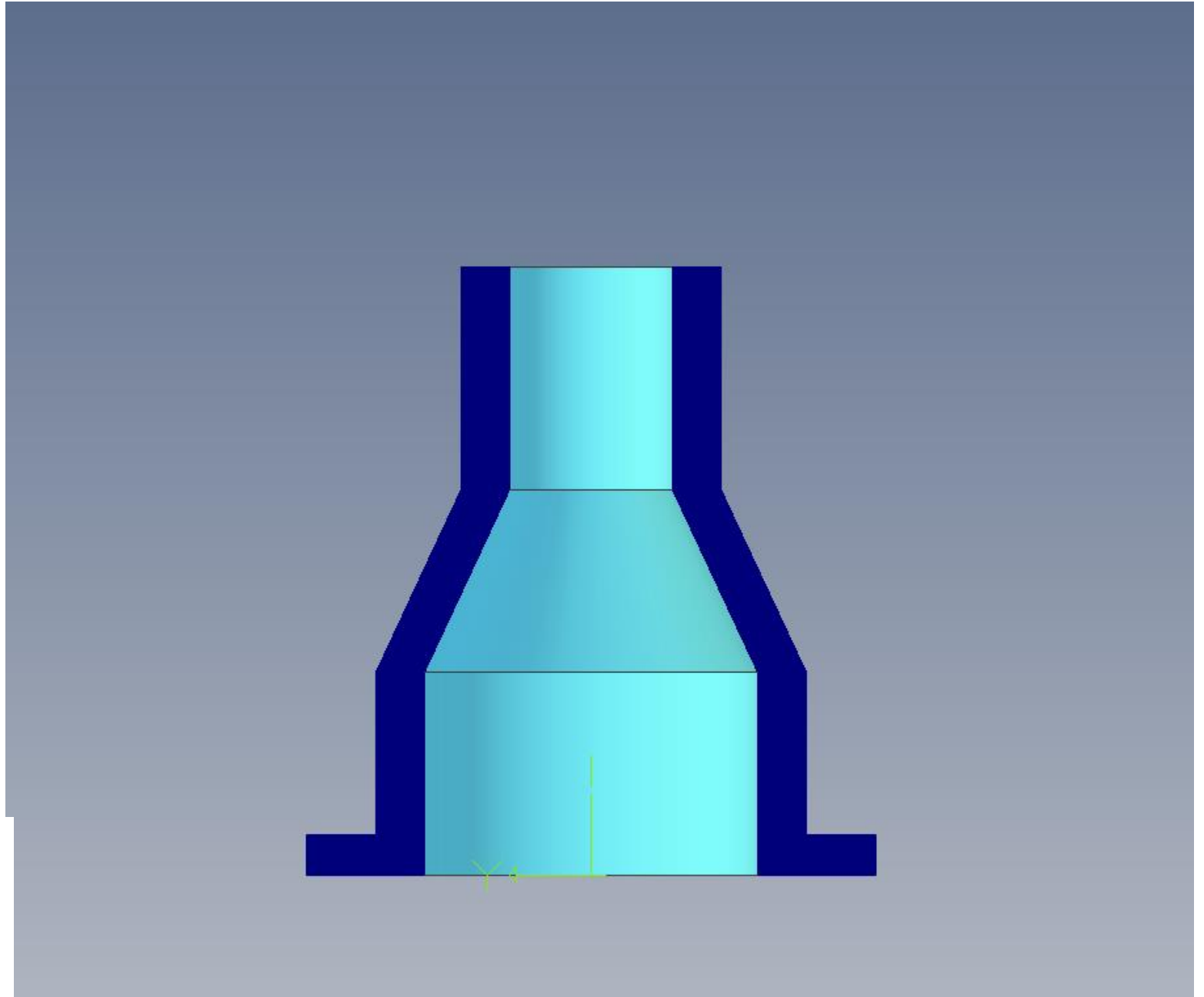
Feature	Dimension (in)	Dimension (cm)
Inlet ID	0.25	0.64
Outlet ID	0.25	0.64
Height	1.00	2.54



RIPPL3D™

# Nozzle 3

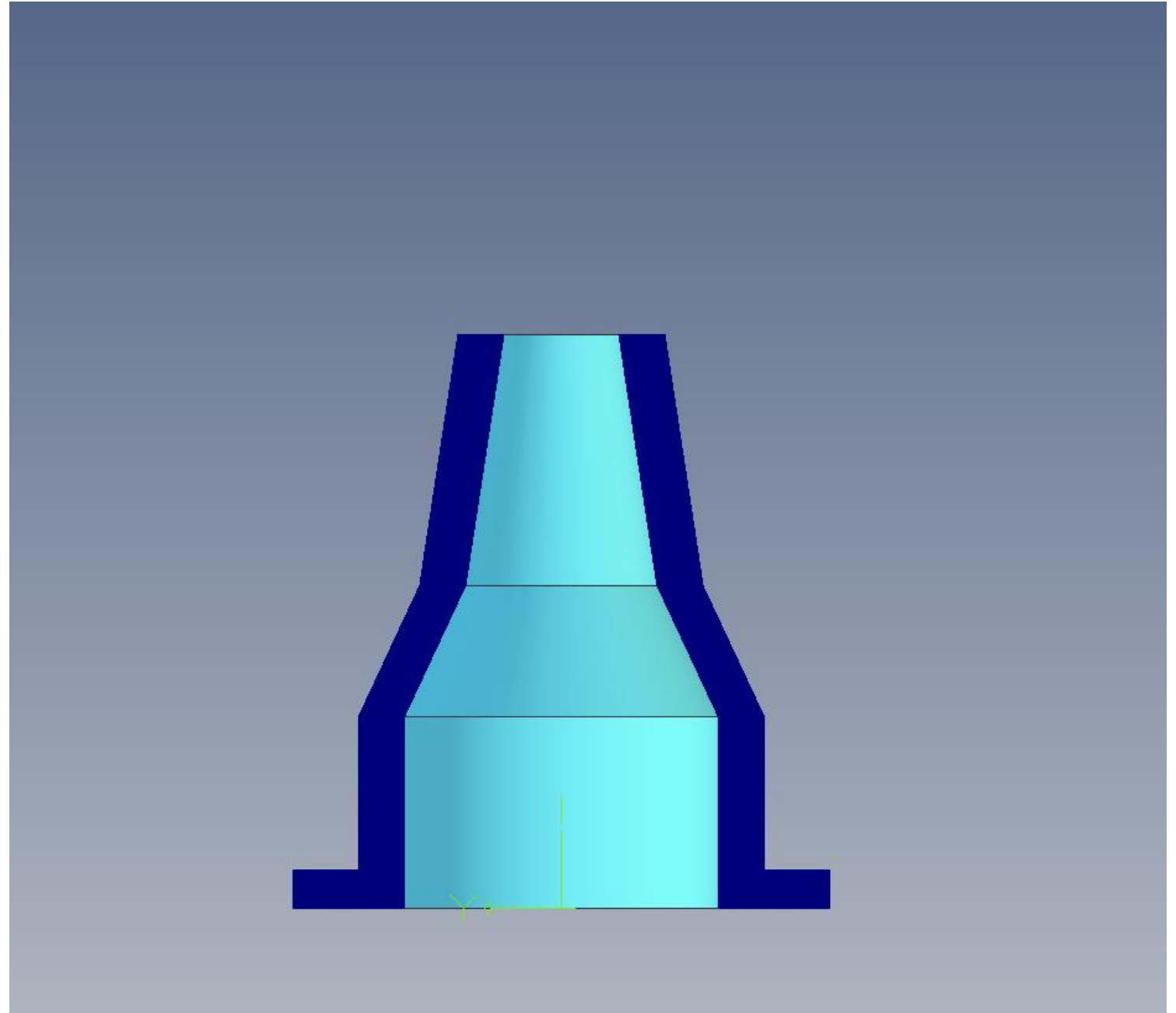
Feature	Dimension (in)	Dimension (cm)
Inlet ID	0.20	0.51
Outlet ID	0.20	0.51
Height	0.75	1.91



RIPPL3D™

# Nozzle 4

Feature	Dimension (in)	Dimension (cm)
Inlet ID	0.25	0.64
Outlet ID	0.15	0.38
Height	0.75	1.91



RIPPL3D™